



LEADING
THE WAY IN
THERMAL IMAGING





ABOUT unival group

unival® group is a Bonn, Germany based group of companies specialized in governmental and corporate protection. We are operating in more than 35 countries around the world with specially selected and trained unival distributors, who represent our multi-level-protection philosophy.

As a German group we guarantee supreme quality standards, customer-orientated services and highest reliability to our international clientele.

With a strong focus on security solutions for governmental organizations, NGOs and multi-national companies, we develop and manufacture individual products as well as multi-level-security solutions that are customized for the local requirements of our clients.

Our experience and competence of more than 10 years of international business development and transactions guarantee turnkey execution of projects.



THE unival MISSION

To address the rapidly growing asymmetric threats in both the physical and digital worlds, quality and adaptability must be combined in a unique approach. We stand for this as a dynamic company and are able to create unique solution concepts for our clientele. Our aim is always to offer added value that underlines our unique selling proposition.

As a company with a claim to innovation excellence in the security field, we strive to offer our customers future-proof solutions that cover all other physical threats in addition to IT threats.

Internet of Security refers to the intelligent integration and management of security sensors that can be remotely controlled and set from a command center. Security must always be available where it is needed, in real time with a focus on data protection and adequate and sustainable measures. We believe that security is a tool for increasing productivity and providing critical information to prevent threats while ensuring secure processes. Securing the future with a smile.



WHY unival group?



GERMAN PROJECT MANAGEMENT



CERTIFIED ENGINEERS & PERSONNEL



STRONG LOCAL PARTNERS



SECURITY MADE IN GERMANY



RELIABLE & PROVEN SYSTEMS



COMPETENT AFTER SALES-SUPPORT



MORE THAN 15 YEARS EXPERIENCE



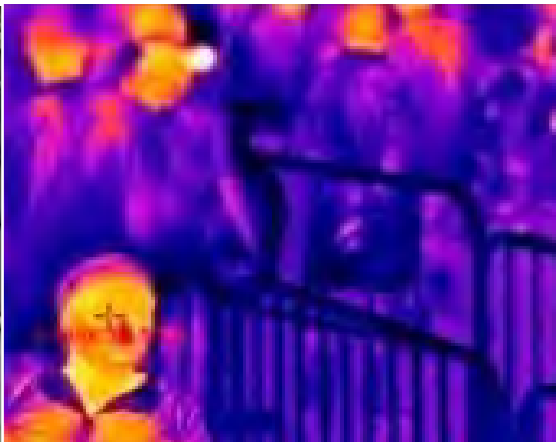
HIGHEST QUALITY STANDARDS



OPERATION IN MORE THAN 35 COUNTRIES

A group of people in business attire are walking through a modern office hallway. The scene is overlaid with several temperature readings in white text: 36.3°C, 36.8°C, 37.2°C, 36.5°C, 37.5°C, and 36.1°C. Some individuals have a small black crosshair icon on their foreheads, indicating they are being screened. The background shows large windows and office furniture.

FEVER SCREENING SYSTEM | CK350-F



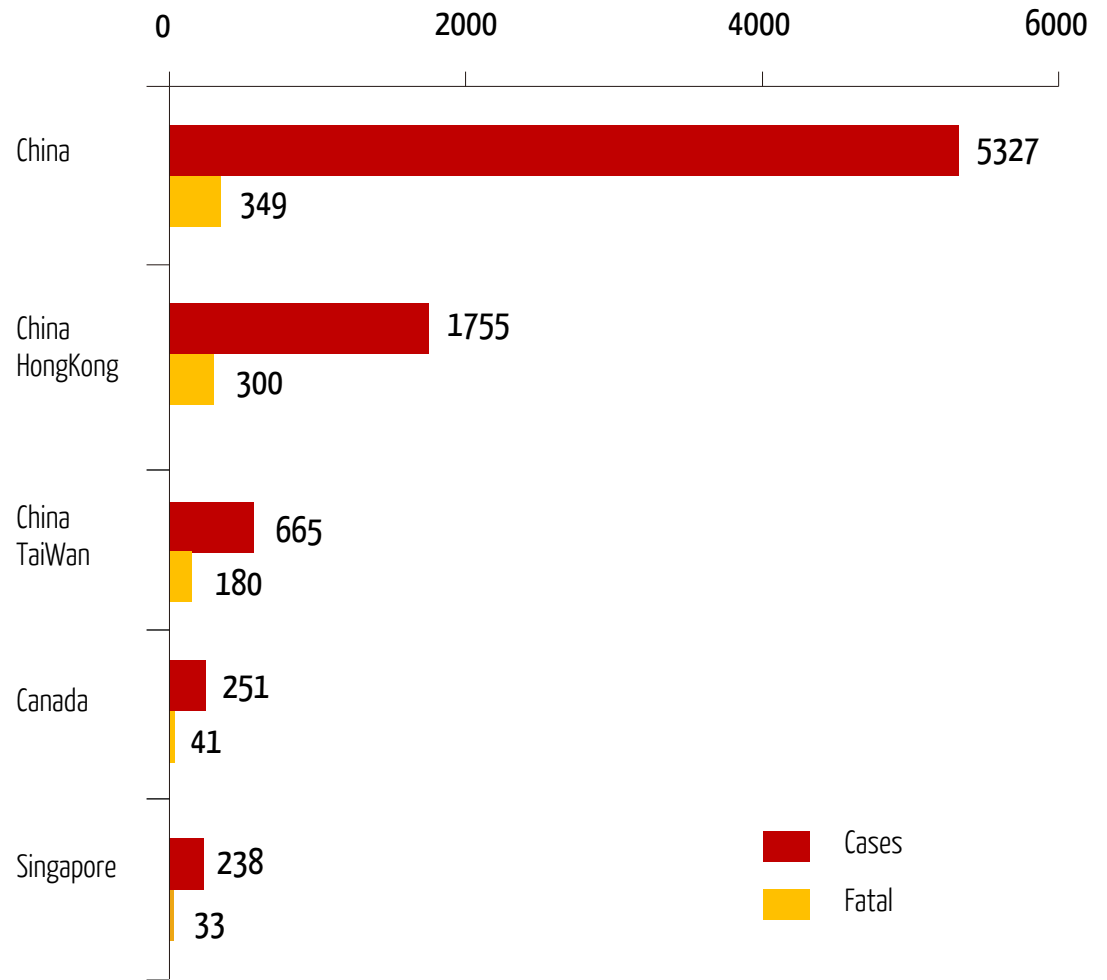
INDUSTRY BACKGROUND

Infectious Diseases Serious Events

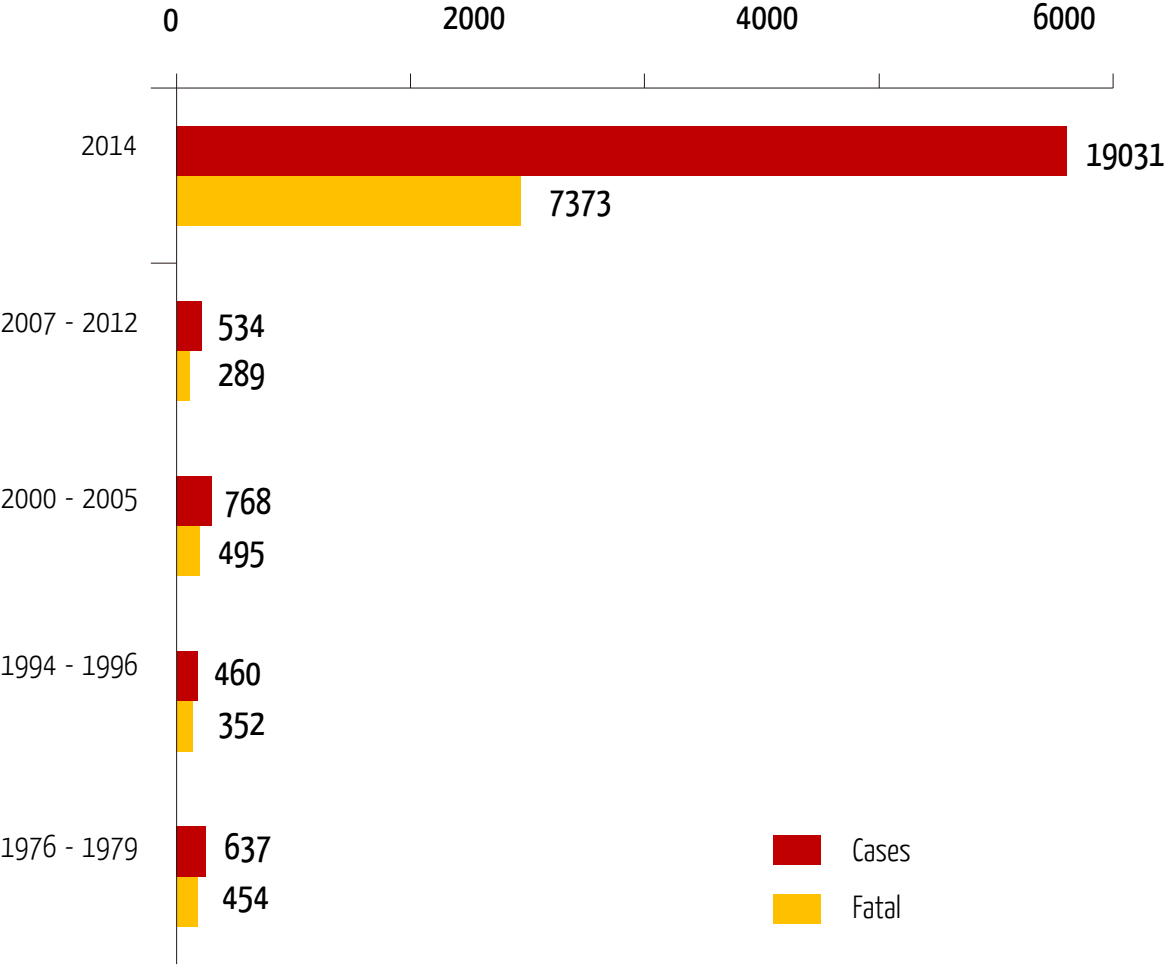


WHO shows in 2003, the SARS epidemic data statistics

DATA UNTIL 11TH JULY 2003



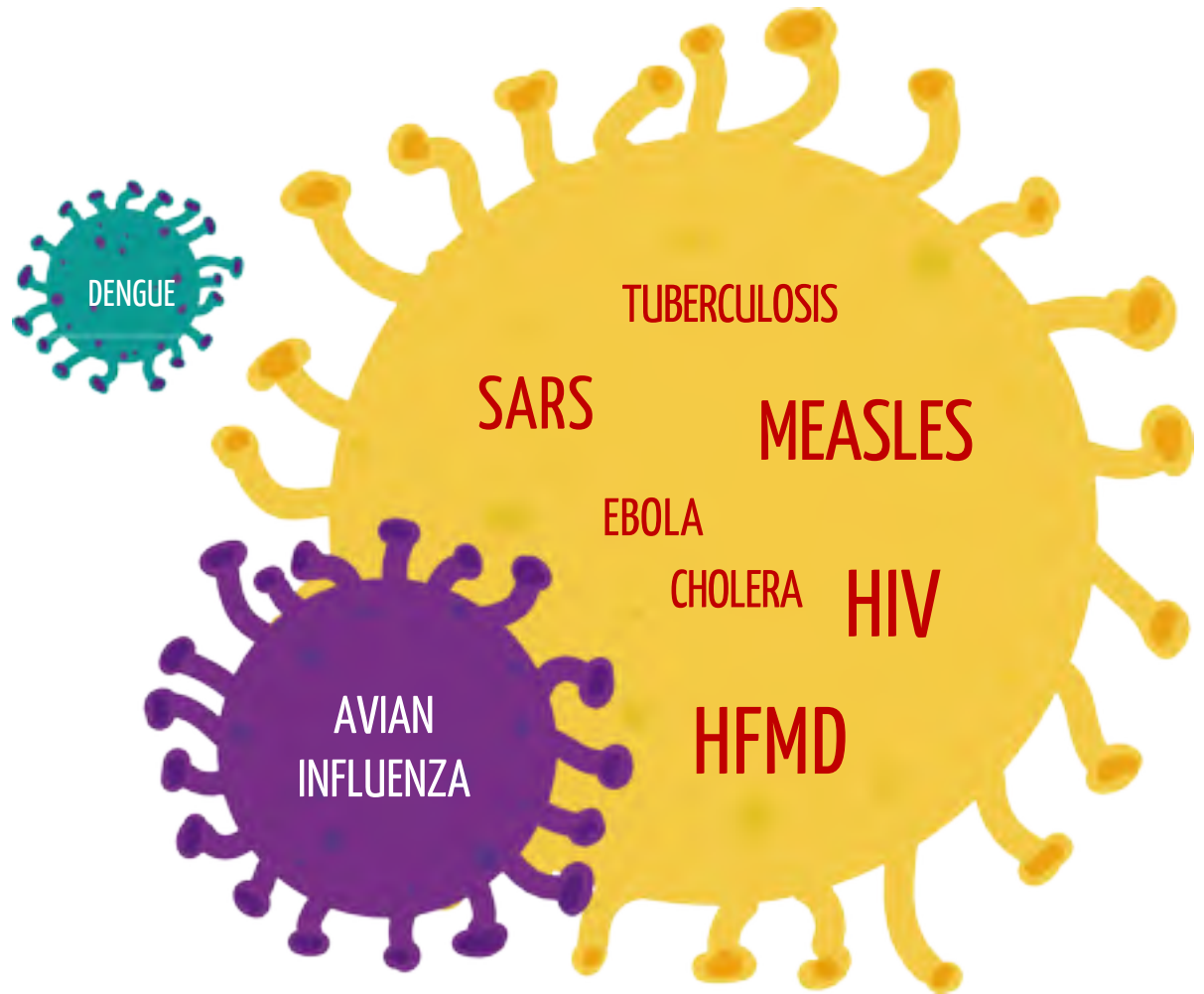
EBOLA VIRUS data statistics



CLOSE CONNECTION BETWEEN INFECTIOUS DISEASES & FEVER

According to clinical manifestations, among the 39 legal infectious diseases in China, 28 have premature fever symptoms

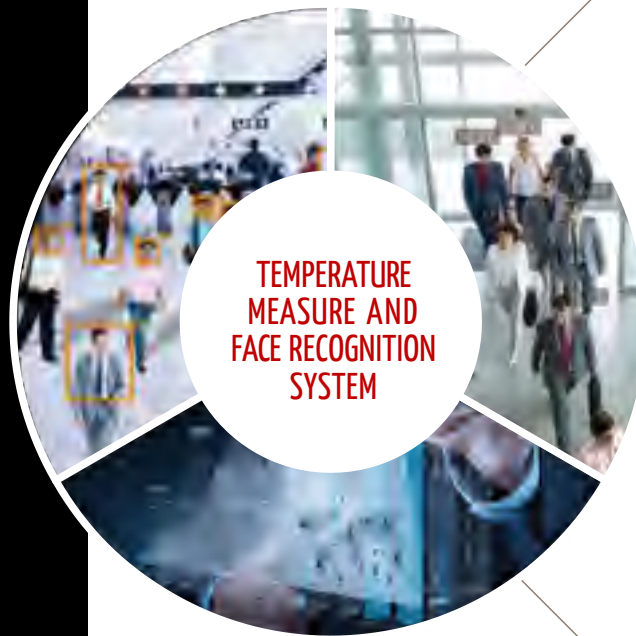
BODY TEMPERATURE MEASUREMENT IS
AN IMPORTANT METHOD FOR
INFECTION CONTROL



PRINCIPLES FOR PREVENTING & CONTROLLING INFECTIOUS DISEASES



TEMPERATURE MEASUREMENT & FACE RECOGNITION SYSTEM



TEMPERATURE
MEASURE AND
FACE RECOGNITION
SYSTEM



INTELLIGENT FACIAL RECOGNITION

- DEEP LEARNING
- QUICKLY TARGETS HIGH OR ABNORMAL TEMPERATURES



THERMAL TEMPERATURE MEASUREMENT

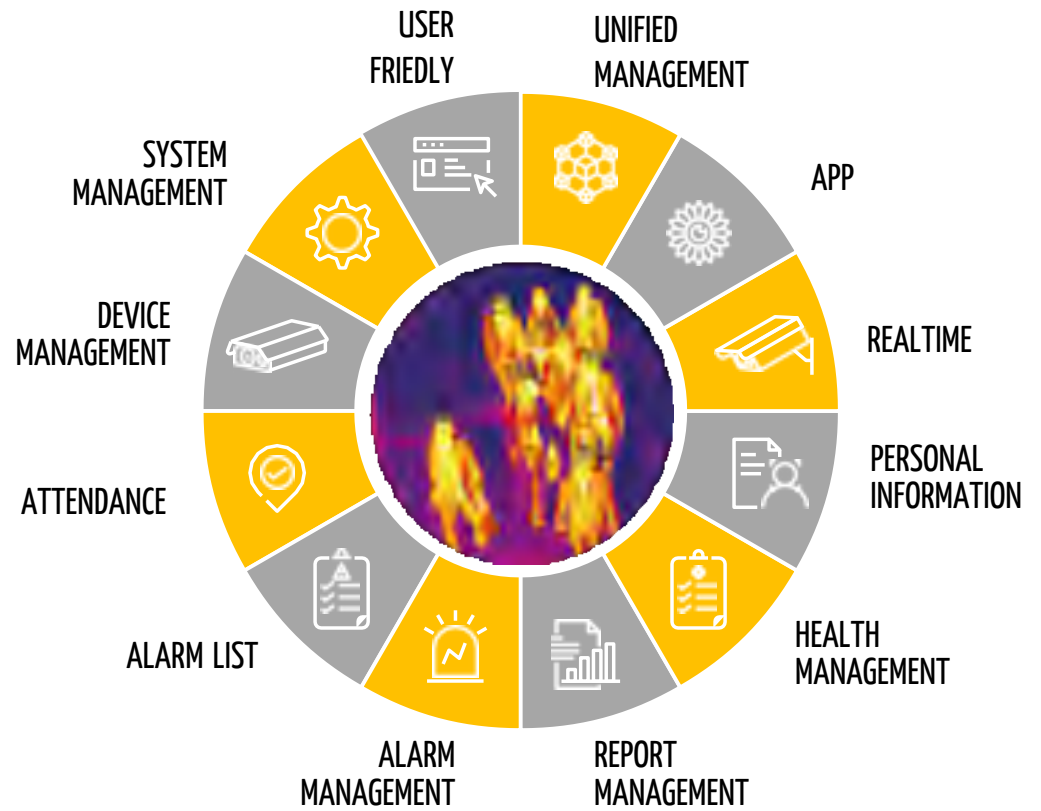
- ONO-CONTACT TEMPERATURE MEASUREMENT
- QUICKLY MEASURES MULTIPLE TARGETS AT A TIME



BIGDATA ANALYSIS

- HEALTH DATA
- STATISTICS REPORT
- ANALYSIS OF EPIDEMIC TREND

SYSTEM FORMATIONS



SYSTEM FUNCTION

Infectious Diseases Serious Events



ONLINE MONITORING FOR RAPID TEMPERATURE MEASUREMENT

- Simultaneous detection of up to 16 targets, at 20 fps
- Efficient temperature measurement



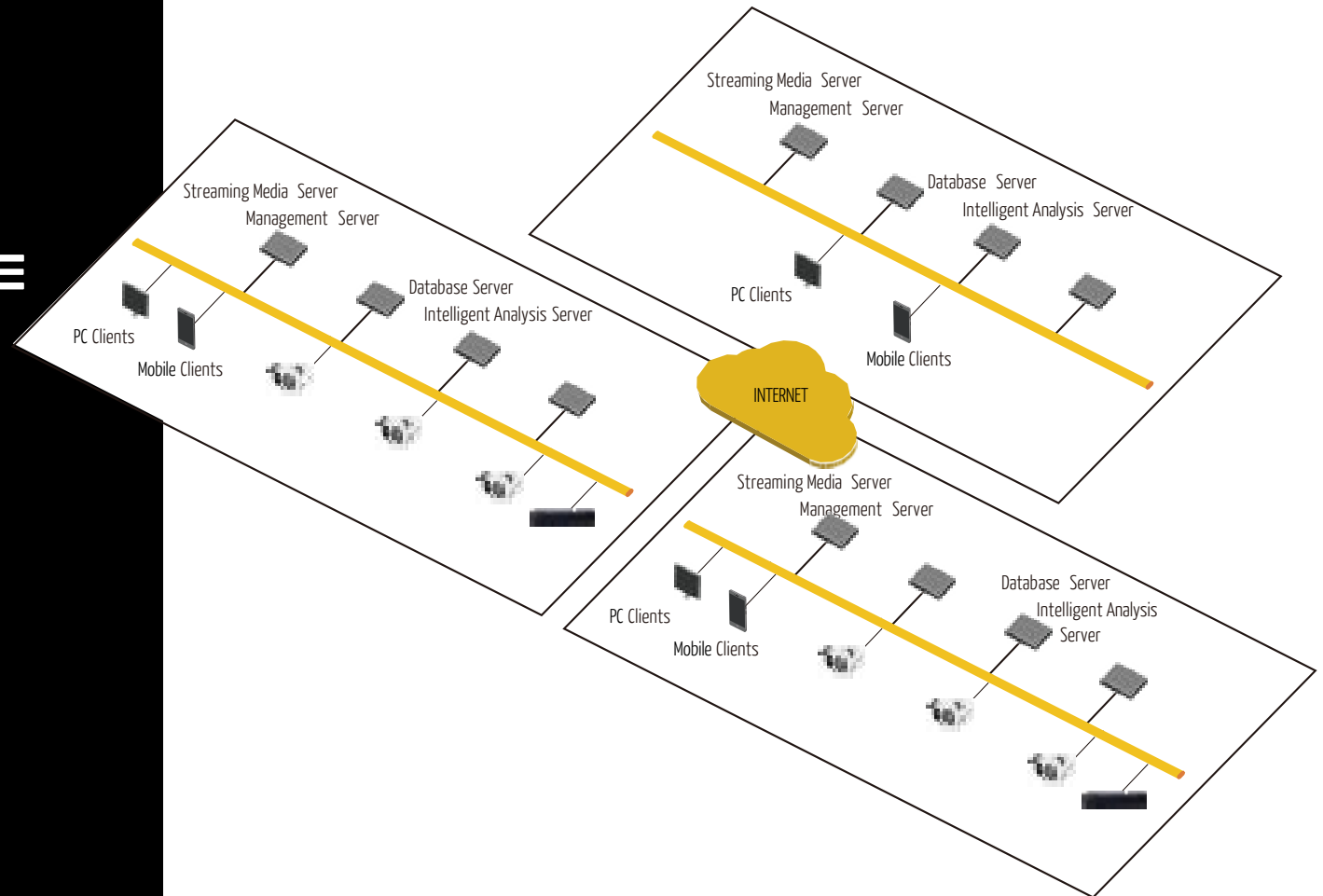
ARCHIVES MANAGEMENT

- Data management
- Batch import/ export
- Self-learning algorithm, face library regular update



MULTILEVEL DISTRIBUTION ARCHITECTURE

- 3 levels distribution deployment
- Servers and Clients management based on different project scale



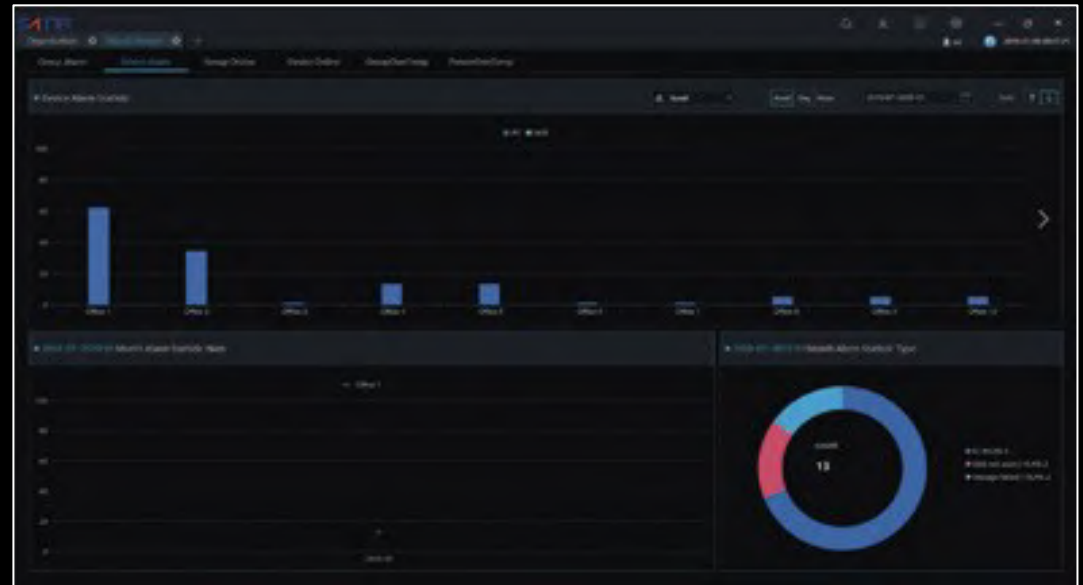
MOBILE APP

- Real-time health data monitoring
- Health data statistics, user receives health report



DATA STATISTICS REPORT

Statistic reports and analysis according to Age/Gender/ Time/Type and illness/Location



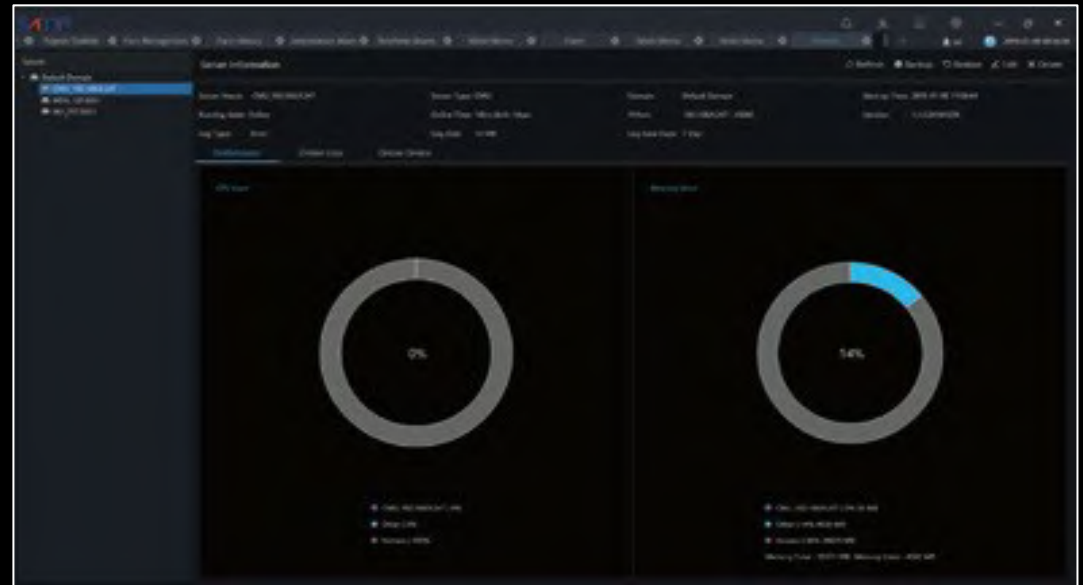
PRE WARNING MANAGEMENT

- Face recognition intelligent technology works in combination with temperature measurement technology, it provides the location of the over-temperature target solving a problem when over-temperature target information cannot be confirmed immediately, at the same time camera provides materials for a further supervision and sends a report
- Audio support



SYSTEM MANAGEMENT

System status monitoring, system configuration,
operation log, abnormal log, debug information etc.



APPLICATIONS



SCHOOL



AIRPORT



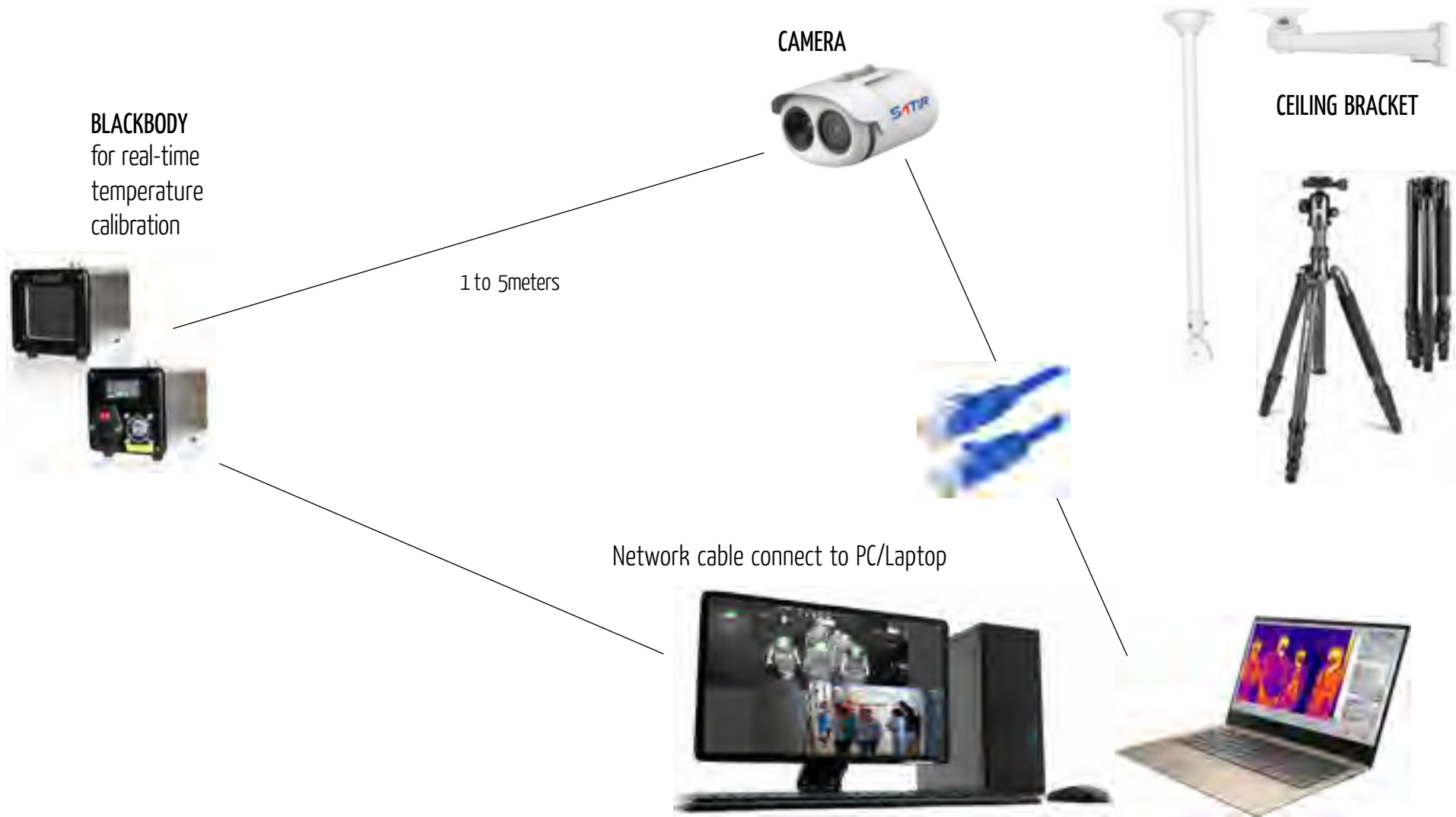
CUSTOM



HOSPITAL



SOLUTION - EDUCATION



SYSTEM DIAGRAM

SPECIFICATION

Thermal Camera	
Detector Type	Uncooled IRFPA Microbolometer
Effective Pixels	384(H) × 288(V)
Pixel Size	17μm
Thermal Sensitivity (NETD)	50mK @F1.0, 300K
Spectral Range	8~14μm
Image Setting	Polarity LUT/ DVE/ Mirror/ FCC/ /3D DNR Brightness/Contrast/ ROI
Color Palettes	Black-Heat /White-Heat/Rainbow/Iron-Red up to 17 modes
Thermal Lens	
Lens Type	Fixed
Focus Control	Manual Focus
Focal Length	8mm
F No.	F1.0
Angle of View	H: 46°, V:35.3°
Visible Camera	
Image Sensor	1/1.9" Sony CMOS
Effective Resolution	1920(H)×1080(V)
Shutter Speed	1/50 ~ 1/64,000s
Wide Dynamic Range	True WDR 120dB
Min. Illumination	Color: 0.01Lux @(F1.2, AGC ON) B/W: 0.001Lux @(F1.2, AGC ON)
S/N Ratio	More than 55dB
Focal Length	2.7 ~ 12mm
Max Aperture	F1.6~ F2.9
Angle of View	105°~ 32°
Focus Control	Motorized

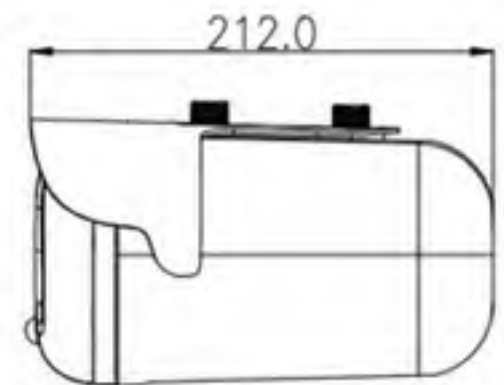
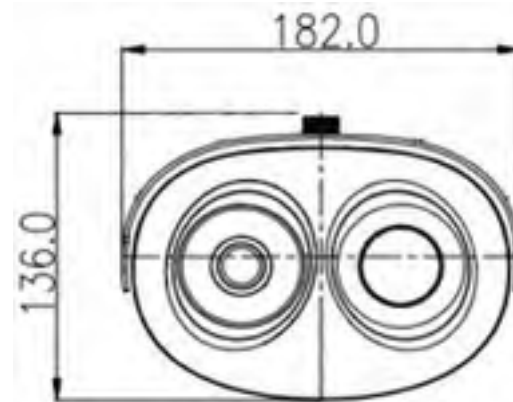
Video and Audio		
Compression	H.265, H.264, MJPEG	
Frame Rate	Main Stream: Thermal: D1 @25/30fps Visible: 1920×1080/1280×720 @25/30fps Sub Stream: Thermal: CIF @25/30fps Visible: D1/VGA/640×360/CIF/QCIF/QV GA @25/30fps	
	Bit Rate Control	CBR/VBR
	Bit Rate	Thermal: 100Kbps~6Mbps Visible: main stream: 500Kbps~10Mbps; sub stream: 100Kbps~6Kbps
	Region of Interest	Off / On (8 Zone, Rectangle)
Digital Zoom	16x	
Mirror	Support	
Defog	Support	
Motion Detection	Support	
Privacy Masking	Off / On (4 Area, Rectangle)	
DVE Image Enhance	Support	
Audio Compression	G.711, AMR, RAW_PCM (Optional)	

SPECIFICATION

Intelligence	
Intelligent Functions	Motion detection, Disk alarm, I/O alarm, Temperature alarm
IVS	Smart Body Detection, Perimeter ,Single Virtual Fences ,Double Virtual Fences ,Object Left ,Object Removed
Temperature Detection	
Detection Mode	Body temperature monitoring
Detection Preset	Max 16 goals
Temperature Alarm	Over temperature alarm, Temperature difference alarm
Accuracy	≤ 0.3 °C (Emission rate, distance, ambient temperature, etc.)
Response Time	≤30ms
Theory of temperature measurement range	-20 °C ~ 60 °C (-4°F ~ 140°F)
Temperature display mode	Temperature target >5°C, Display absolute temperature value; Temperature target ≤5°C, Display relative temperature value (temperature difference DEV = highest value - average)
Network	
Ethernet	RJ-45 (10/100Base-T)
Protocols:	IPv4/IPv6 ,HTTP,RTSP/RTP/RTCP, TCP/UDP, DHCP, DNS, PPPOE, SMTP, SIP ,802.1x
Interoperability	ONVIF, CGI, SDK
Streaming Method	Unicast
Max. User Access	10 Users
Edge Storage	NAS Local PC for instant recording Micro SD card 128GB
Web Viewer	<IE11, Chrome, Firefox
Web Language	English, Chinese, Polish, Italian, Portuguese, Spanish. Russian, French, Czech, Hungarian

Interface	
Ethernet	1 Ethernet (10/100 Base-T) RJ-45 Connector
Audio Interface	1ch Audio In,1ch Audio Out
Alarm	2ch Alarm In,2ch Alarm Out
RS485	Support
BNC Output	N/A
Reset Button	Support (Built-in)
General	
Power Supply	DC12V/POE (IEEE 802.3af)
Power Consumption	Max 10W
Operating Temperature	-30°C~60°C(-22°F~140°F)
Storage Conditions	0~ 90% RH
Certifications	CE /FCC
Ingress Protection	IP66
Casing	Metal
Dimensions	212×182×136mm
Net Weight	2Kg

DIMENSIONS (mm)



ACCESSORIES

WALL BRACKET (INCLUDED)



TRIPOD (OPTIONAL)



CEILING BRACKET (OPTIONAL)



CK350-F CEILING BRACKET

FEATURES



- Aesthetic design
- Material: Alloy
- Ceiling mount bracket
- Adjustable length

CK350-F CEILING BRACKET

SPECIFICATIONS

Ceiling bracket for camera

Supported Models	CK350-F Camera
Material	Alloy
Color	White
Product Dimensions	$\phi 140\text{mm} \times 700\text{mm} \sim \phi 140\text{mm} \times 120\text{mm}$
Product Weight	1020g
Max. Load Bearing	5Kg

Ceiling bracket for blackbody

Supported Models	BB350-F (Black body)
Material	Alloy
Color	White
Product Dimensions	$\phi 130\text{mm} \times 700\text{mm} \sim \phi 130\text{mm} \times 120\text{mm}$
Product Weight	820g
Max. Load Bearing	5Kg

BLACKBODY SPECIFICATION



BLACKBODY SPECIFICATION

Temperature Range	40°C(Ambient temp. +5.0°Cto 50°C)
Emissive Area	70mm x 70mm
Temperature Resolution	0.1°C
Accuracy	±0.2°C(@40°C)
Stability	±(0.1~0.2) °C/30min
Emissivity	0.97±0.02
Power Supply	220V AC 50Hz 50W
Dimension/Weight	W110mm x H120mm x D180mm, 1.8kg
Operating ambient temp.	0°C~40°C/ ≤80%RH
Option	RS485 communication

Note:

Product features: The application of these sources are calibrations of IR thermometers, IR sensors and thermal imagers which are used for human body temperature measurement.

A black body or blackbody is an idealized physical body that absorbs all incident electromagnetic radiation, regardless of frequency or angle of incidence.

It does not only absorb radiation but can also emit radiation. The name "black body" is given because it absorbs radiation in all frequencies, not because it only absorbs.

Blackbody radiation is radiation produced by heated objects, particularly from a blackbody. A blackbody is an object that absorbs all radiation (visible light, infrared light, ultraviolet light, etc.) that falls on it.

This also means that it will also radiate at all frequencies that heat energy produces in it.



unival group® GmbH
Am Hofgarten 4
53113 Bonn | Germany

Tel: +49 228 926858-0
info@unival-group.com
www.unival-group.com